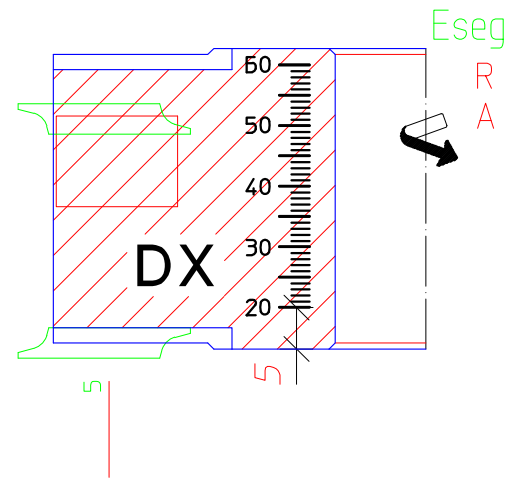
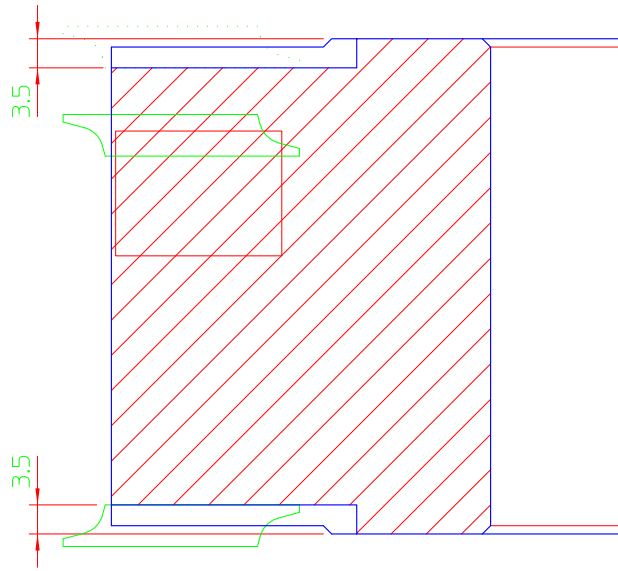
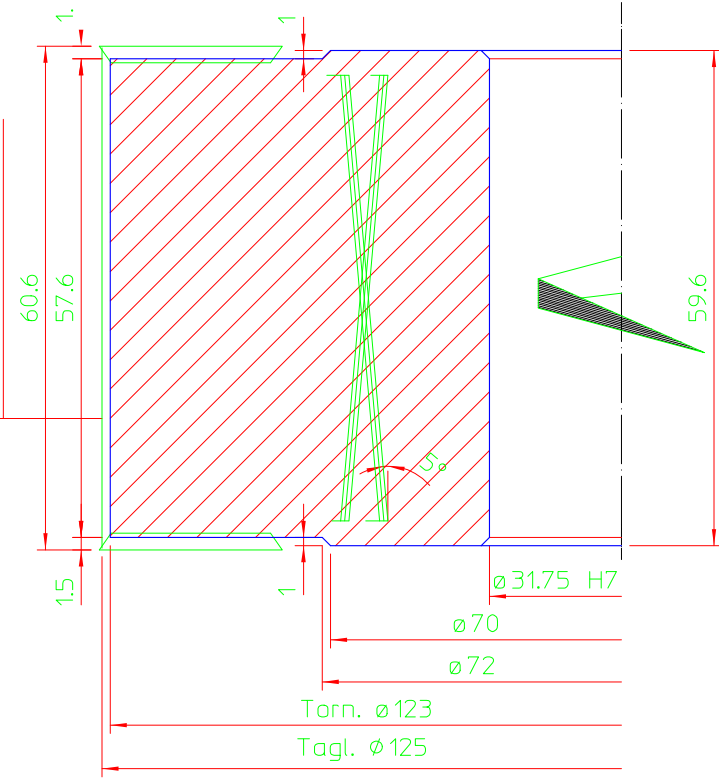


Art. 06 100 4510007

Coltelli 60x12x1.5-45°



Client reference		Revision	Signature
Description RNRC125060 Adjustable Radius Chamfer Shear Cutter		Check	Signature
		Date	Signature
Order	Drawing Number	Sheet 1 of 2	Scale 1:1

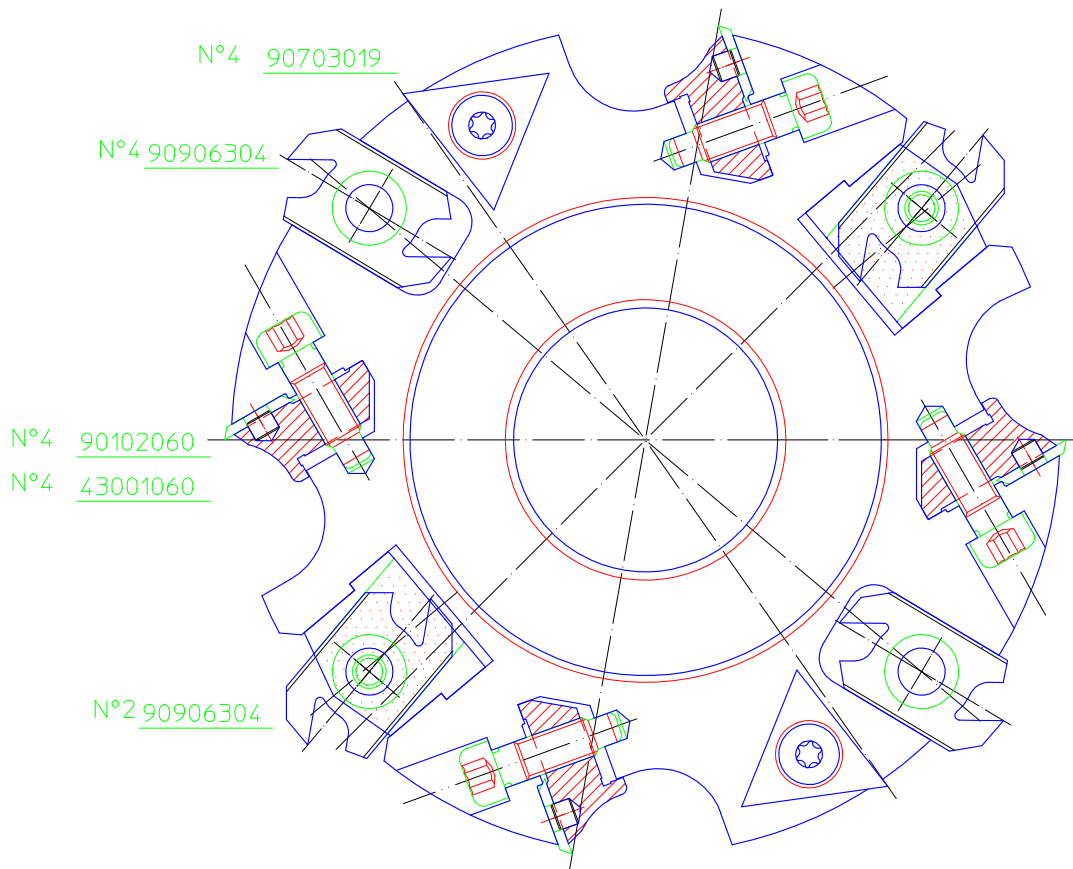
G02_103_1250800 32

125 x 60 x 31.75

n° Min. 6200

n° Max. 10600

MAN



Client reference		Revision	Signature
Description RNRC125060 Adjustable Radius Chamfer Shear Cutter		Check	Signature
		Date	Signature
Order	Drawing Number	Sheet 2 of 2	Scale 1:1