

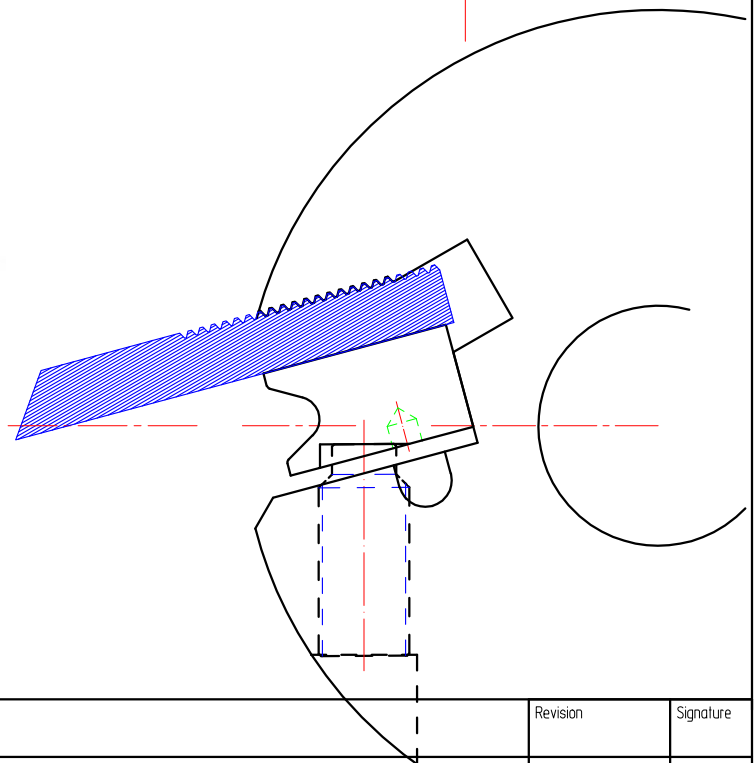
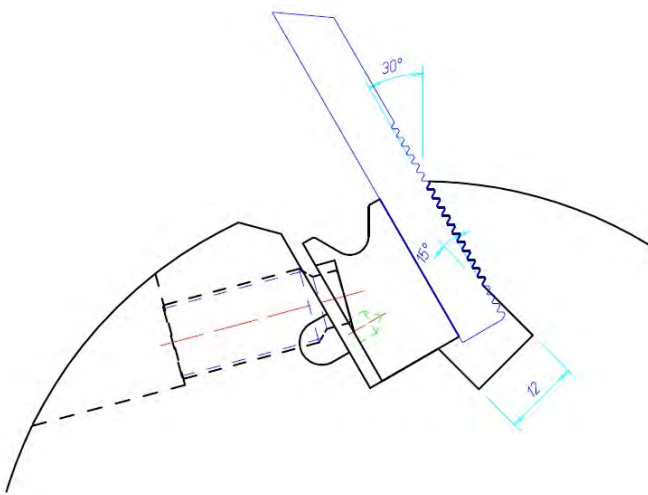
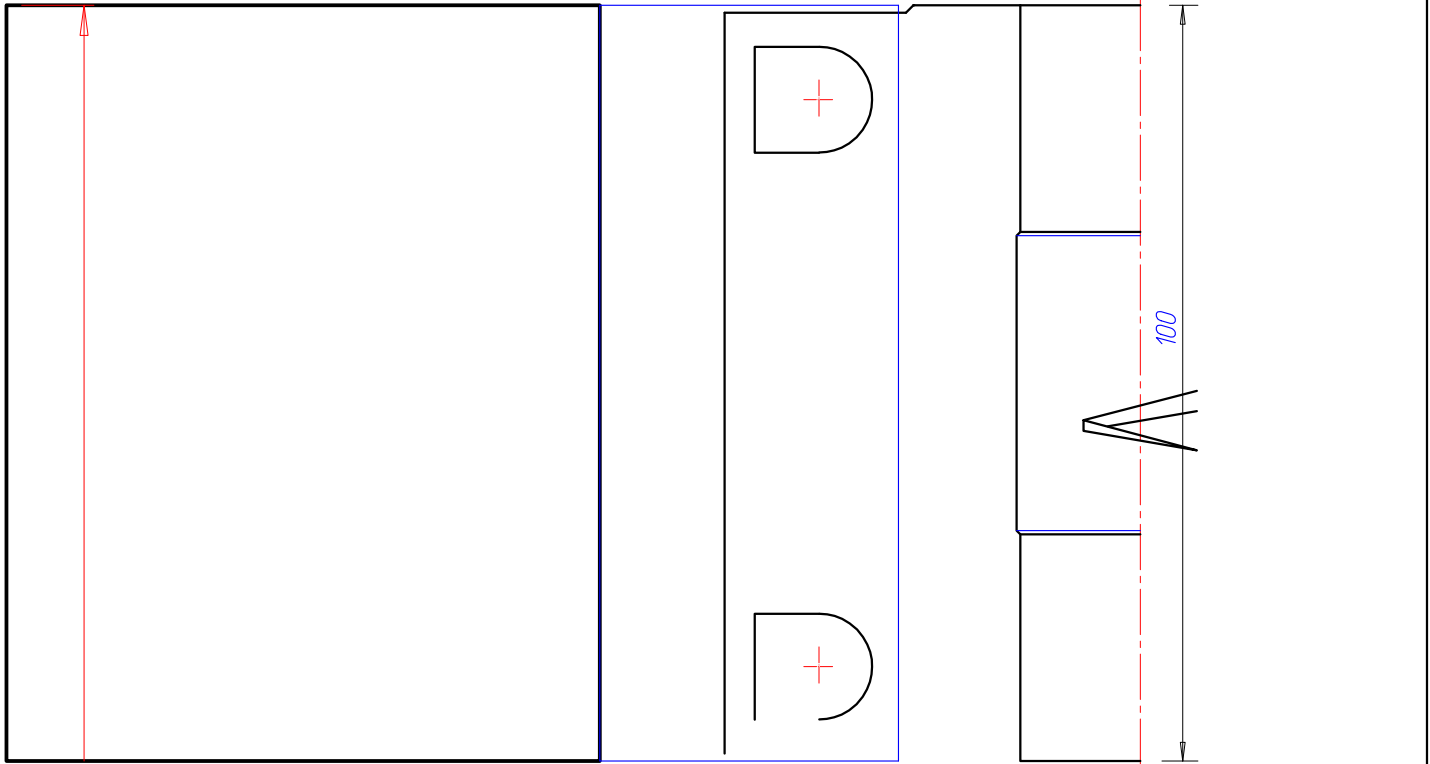
Tool Body Only | Knives Excluded

$\phi 110$ Z = 2

system **MEC**
UNI EN 847-1

$\phi 31.75$

100



SPARE PARTS

SB178.1.14.001	SC178.1.14.001
F6.HS.100.	2



Client reference		Revision	Signature
Description RCC1101002 Corrugated-Knife Cutter		Check	Signature
		Date	Signature
Order	Drawing Number	Sheet	Scale
			1:1